

NDI20X NDI SMART IP LIVE STREAMING CAMERA

Lower latency | Higher performance | Smooth and Clear Streaming Experience

20X | NDI | HX

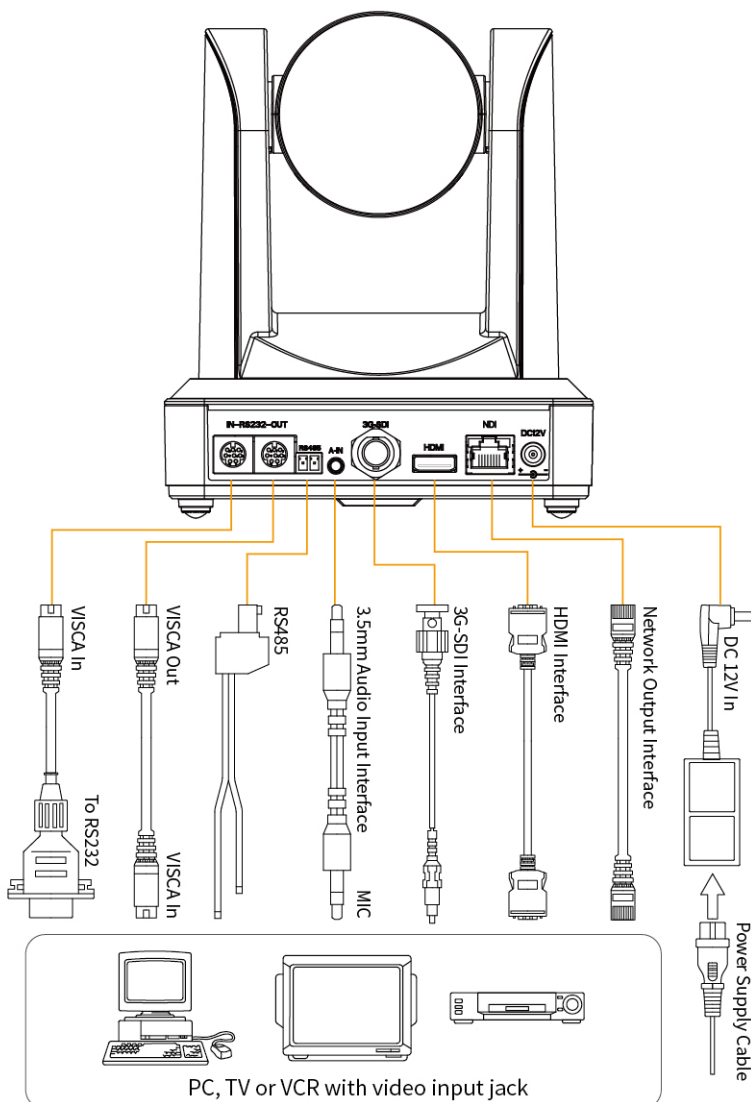


FHD Image	20X Optical Zoom	Video Output	POE	Encoding	Low Light Correction	PTZ	Auto Focus	255 Presets	Remote Control

>> FEATURES

- 20X optical zoom professional full HD camera , suitable for larger occasion
- Up to 1080p@60fps, higher quality image
- Simultaneous 3G-SDI, HDMI, NDI/IP Streaming video out, easily for professional video production
- PoE(Power over Ethernet) supported
- Double track 3.5mm linear input for audio
- Auto focus, smart frame capture everyone
- Supports H.265/H.264 encoding which makes motion video fluent and clear even with less than ideal bandwidth conditions.
- Advanced 2D/3D noise reduction technology further reduces the noise while ensuring high image clarity
- High speed and silent pan/tilt, capture all the actions
- Supports up to 255 presets (10 presets for IR remote control)
- Multiple control protocol and network protocol
- Ideal for church live streaming, video conference, sports events, online education, ect.

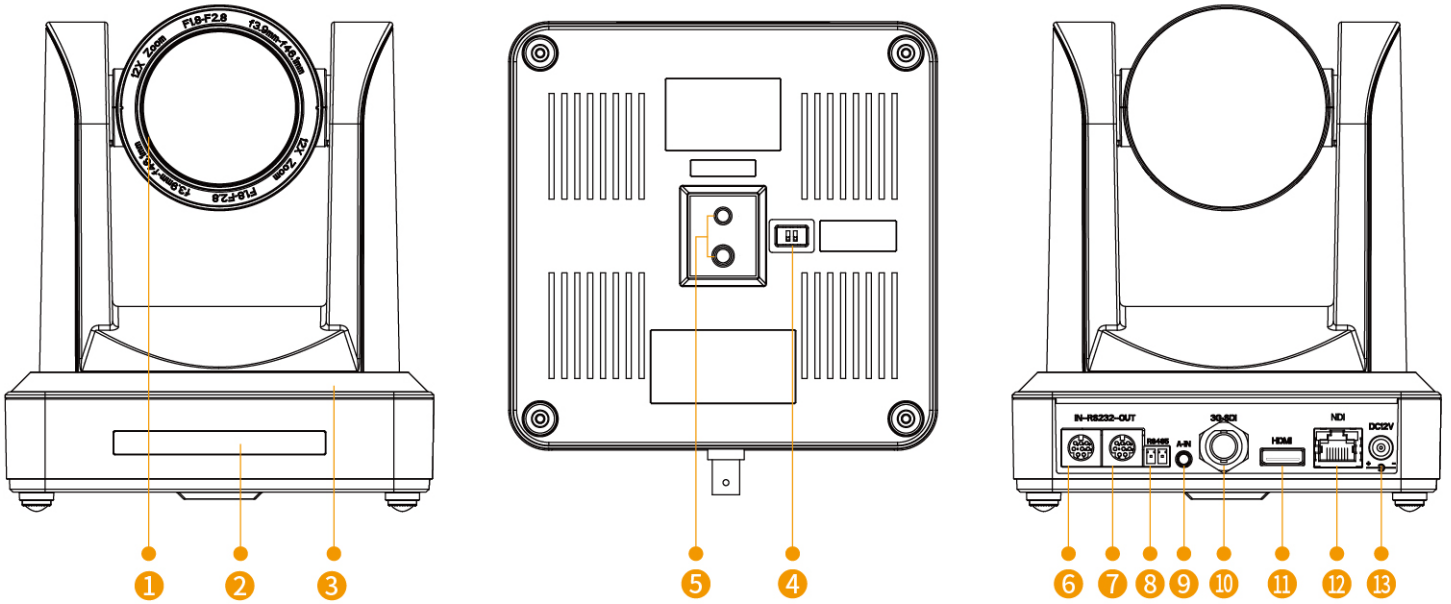
>> EXTERNAL INTERFACE CONNECTION



>> PARAMETER

Description	NDI Camera with 20X Optical Zoom			
Model No.	NDI20X			
Connectors	Video(Output)	HDMI	1×HDMI-A	
		SDI	1×BNC	
		NDI	1×RJ45	
	Audio	1×3.5mm Stereo Jack		
	Communication	RS232	2×DIN 8	
		RS485	1×2 Pin Connector	
	Network	1×100Mbps (10/100BASE-TX)		
Power	DC 12V			
Camera	Optical Zoom	20X f=5.5~110mm		
	View Angle	3.3°~ 54.7°		
	AV	F1.6 ~ F3.5		
	Digital Zoom	20X		
	Minimum Illumination	0.5 lux (F1.8, AGC ON)		
	DNR	2D & 3D		
	White Balance	Auto/Manual/One Push/3000K/3500K/4000K/4500K/5000K/5500K/6000K/6500K/7000K		
	Focus	Auto/Manual		
	Aperture/ Electronic Shutter	Auto/Manual		
	WDR	OFF/Dynamic Level Adjustment		
	BLC	ON/OFF		
	Video Adjustment	Brightness/Color/Saturation/Contrast/Sharpness/B/W mode/Gamma curve		
	SNR	>55dB		
	Effective Pixels	2.07m,16:9		
Pan-and-Tilt Parameter	Pan/Tilt Movement	-170°~+170°/'-30°~+90°		
	Pan/Tilt Control Speed	0.1~60°/S ; 0.1~30°/S		
	Preset Speed/Quantity	Pan:60°/S, Tilt:30°/S; Up to 255 preset positions (10 remote control)		
Audio Compression Format	AAC, MP3, G.711A			
Video Compression Format	H.264, H.265,Dual Streaming Output			
Output Resolutions	Up to 1080P60 720p25/29.97/30/50/59.94/60 1080p25/30/29.97/30/50/59.94/60			
Control Protocol	VISCA Pelco-D Pelco-P			
Baud Rate(bps)	115200 9600 4800 2400bps			
Network Protocol	RTSP RTMP ONVIF GB/T28181 VISCA			
Supported Standards	HDMI	1.3		
	SDI	SMPTE 425M (Level A & B) SMPTE 424M SMPTE 292M SMPTE 259M-C DVB-ASI		
	NDI	NDI HX low bandwidth version		
Input Voltage	DC12V/1.5A			
Max Power	12W			
Temperature	-10°C~50°C			
Humidity	20%~80%			
Unit Weight	1.4kg			
Unit Size	150mm×150mm×167.5mm			

>> STRUCTURE



① Camera Lens	⑥ RS232 Control Interface (input)	⑪ HDMI Interface
② Camera Base	⑦ RS232 Control Interface (output)	⑫ NDI Network Interface
③ Remote Controller Receiver Light	⑧ RS485 Input (left +,right -)	⑬ DC12V Input Power Supply Socket
④ Bottom Dial Switch	⑨ Audio Input Interface	
⑤ Tripod Screw Hole	⑩ 3G - SDI interface	

>> PACKING LIST

			
NDI20X PTZ Camera	Remote Control	RS232 Control Cable	RS485 Terminal Block
			
Power Adapter	US Standard Power Cable	EU Standard Power Cable	User manual



Zhangzhou Seetec Optoelectronics Technology Co., Ltd

E-mail: sales@feelworld.cn

Tel: +86-596-2672627

Website: www.feelworld.com.cn

Fax: +86-596-2672617

www.seetec.com.cn