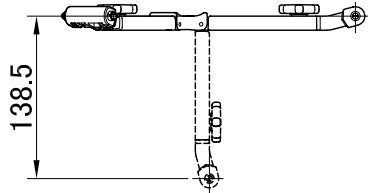
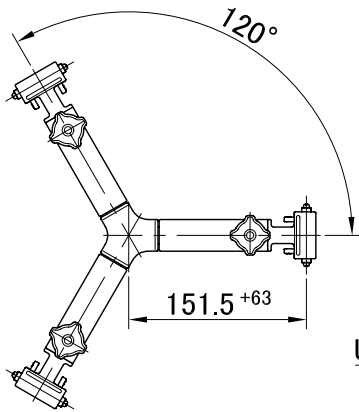


System	RT30B (Tripod) + BR-2B (Mid - level spreader) + FP-2B (Large rubber feet)		
Payload	25 kg / 55 lb	Ball diameter	φ 75 mm
Weight	3.2 kg / 7 lb	Section	2STAGE
Height	① H : 1500 mm W : 800 mm (※Reference)	Tripod fixation	Fixing lock knob
	② H : 655 mm W : 570 mm (")	Spreader	BR-2B
Folded length	③ L : 700 mm (")	Material	Aluminum alloy, Engineering plastic

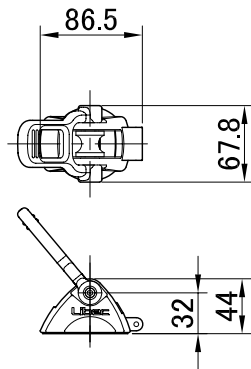
Remarks

■ Exterior Dimensions (mm)

■ BR-2B



■ FP-2B

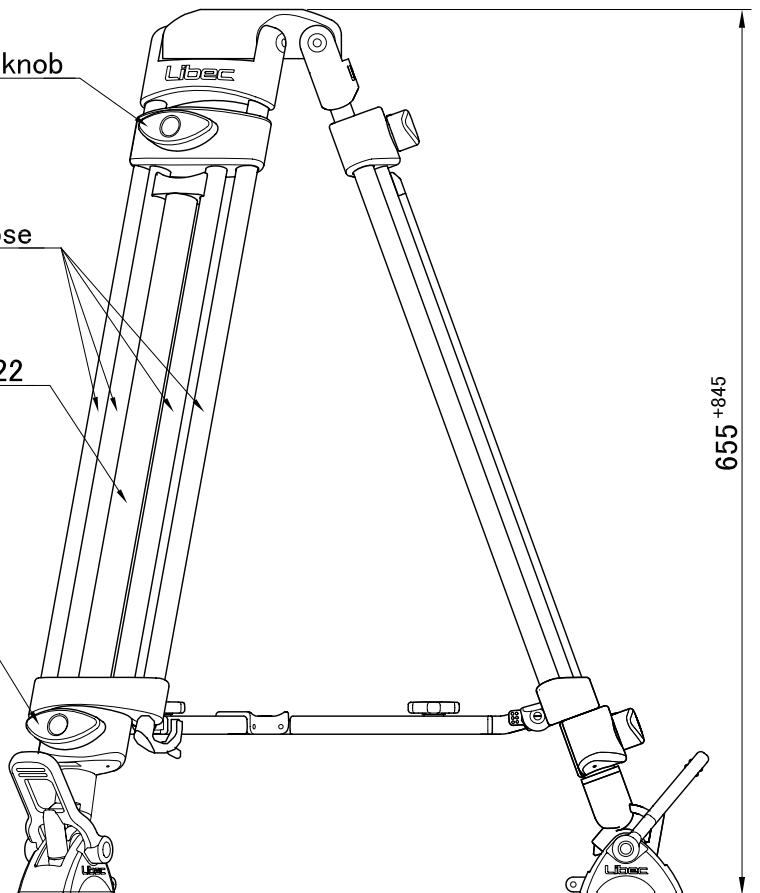


Upper lock knob

16x14 Ellipse

φ 22

Lower lock knob



※: Reference

