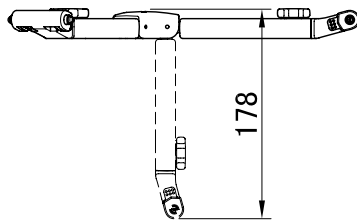
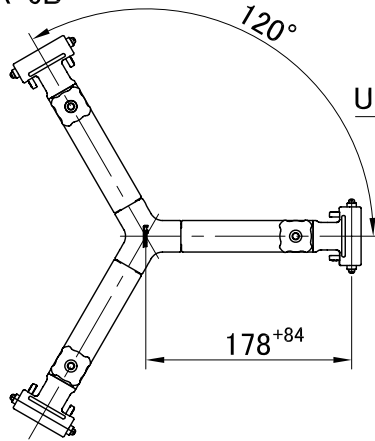


System	RT40RB (Tripod) + BR-6B (Mid-level spreader) + FP-2B (Large rubber feet)		
Payload	35 kg / 77 lb	Ball diameter	∅75 mm
Weight	3.8 kg / 8.4 lb	Section	2STAGE
Height	① H : 1555 mm W : 880 mm (※Reference)	Tripod fixation	Fixing lock knob
	② H : 670 mm W : 670 mm (")	Spreader	BR-6B
Folded length	③ L : 740 mm (")	Material	Aluminum pipe , Aluminum alloy, Engineering plastic

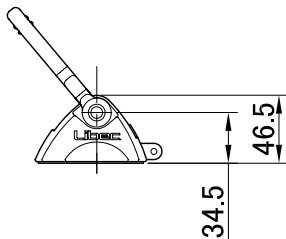
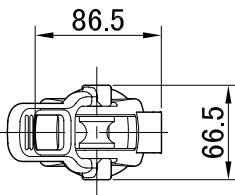
Remarks

■ Exterior Dimensions (mm)

■ BR-6B

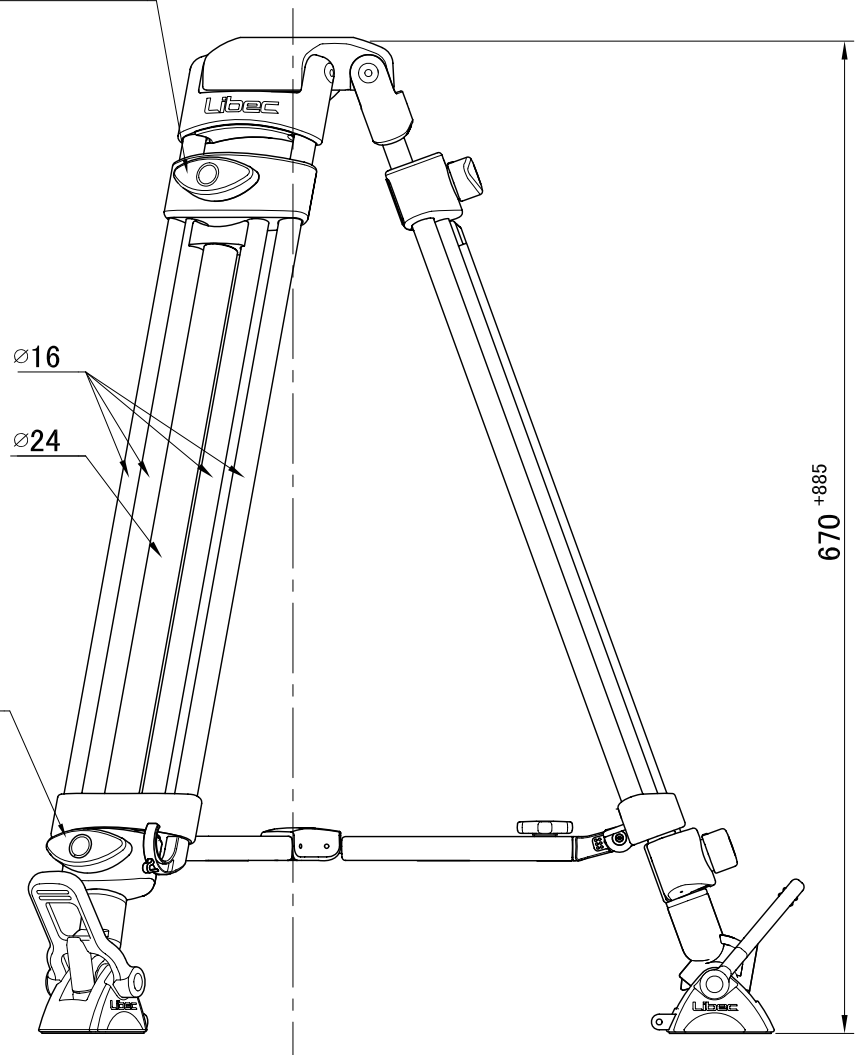


■ FP-2B



Lower lock knob

Upper lock knob



※: Reference

